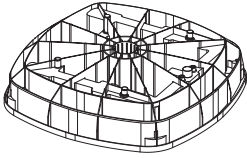
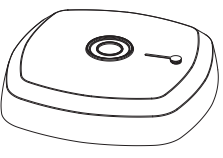
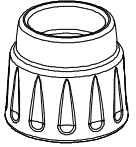
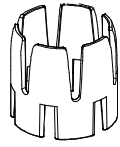
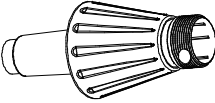

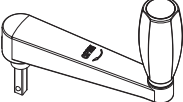



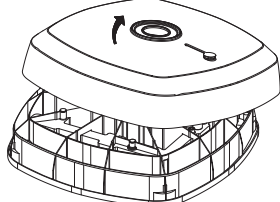
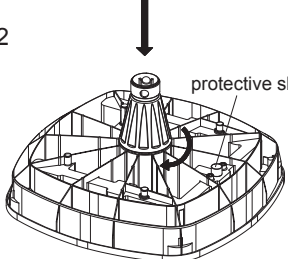
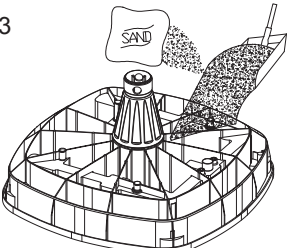
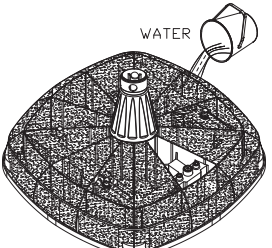
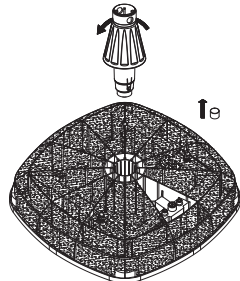
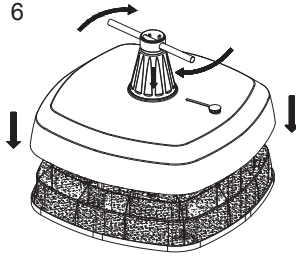
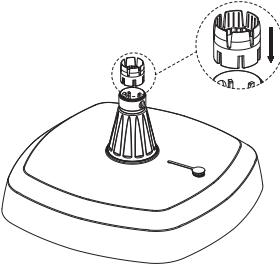
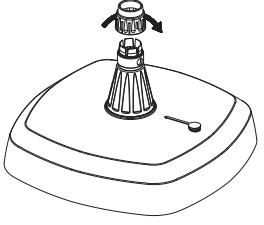
Assembly Instruction

11ft Cantilever Umbrella Base with Wheels

Please Note: The wheels under the base can move and lock in place. Umbrella should be closed or stored indoors during windy conditions. Do not use during severe weather conditions. Do not leave the umbrella open when not in use.

Components	No	Description	Qty
 (1)	1	Base substructure	1
 (2)	2	Base Cover	1
 (3)	3	Nut	1
 (4)	4	Fixed Ring	1
 (5)	5	Standing Tube	1
 (6)	6	Pole	1
 (7)	7	Crank	1
 (8)	8	Play Sand (not included)	1

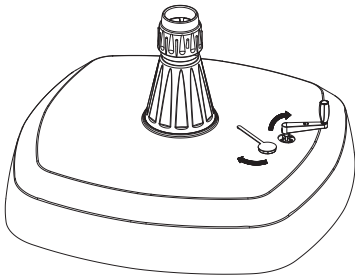
Assembly Instructions

- 1 
 - Select flat, level area to set base/umbrella. Remove Base Cover.
- 2 
 - Insert standing tube.
- 3 
 - Fill base with sand.
- 4 
 - Add water to saturate the sand. Please ensure the protective sleeve is on the crank hole to prevent the sand and water filled in.
- 5 
 - Remove standing tube and the protective sleeve.
- 6 
 - Reinstall base cover.
- 7 
 - Fixed Ring: Make sure the side with thread is facing upwards.
- 8 
 - DO NOT fasten the nut tightly or the lower umbrella pole can't be inserted into the base.

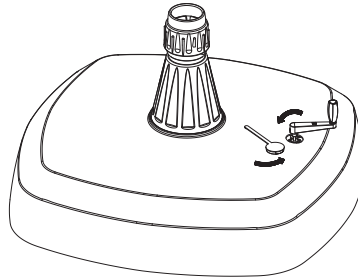
Please note: Make sure to fully fill the inside of the base substructure. If the base is not fully filled, the base cover could be damaged when weight applies to the base cover.

Operating Instruction to Lift and Move the wheels

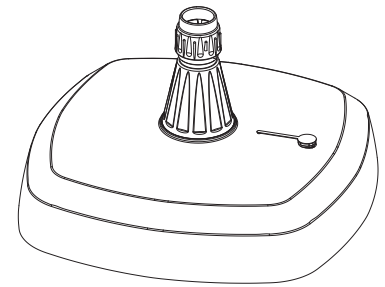
9



10



11



1. Lift Wheels: Open the lid and move to aside, rotate the crank handle in clockwise 2 to 3 circles, then the base could be movable.
2. Lock the wheels: When the base is moved to the desired position, rotate the crank handle counter-clockwise 2 to 3 circles to lock into place. Place lid back on.